

 **IShineLUX**



LEGEND II

LED STREET LIGHT

LED STREET LIGHT
LEGEND II

LEGEND II Street Light

ISL-LDB-30W/50W/60W

Specifications

Optical Data

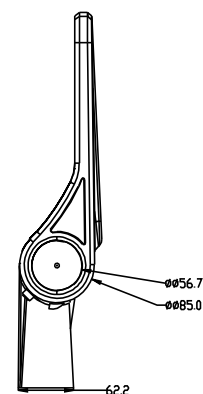
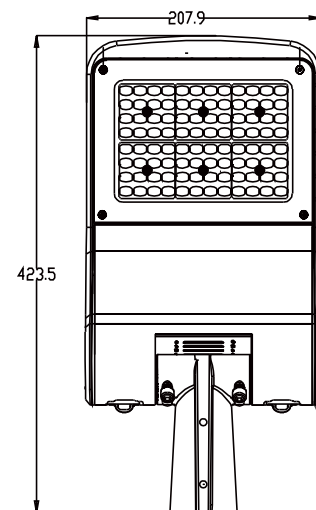
Power	30W/50W/60W
LED Chips	ORSAM
Luminous Efficacy	140~150lm/W
CCT	3000K-6500K
CRI (Ra)	70+/80+

Electrical Data

Driver	Meanwell / Sosen
Input Voltage	AC100-277V
Power Factor	>0.95
Output Voltage	DC36V
Total Harmonic Distortion	< 15%
Driver Efficiency	92%

Others

IP Rating	IP66
Lifespan	60,000Hours
Housing	Aluminum
Lens Material	PC+Glass
Fixture Size	424*208*94 mm
Carton Size	450*240*110 mm
Net Weight	3.0KG
Gross Weight	4.0KG



LEGEND II Street Light

ISL-LDB-80W/100W/120W

Specifications

Optical Data

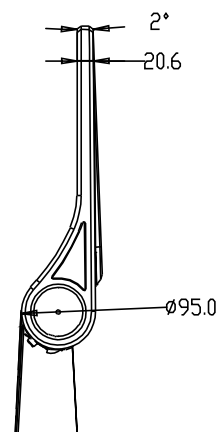
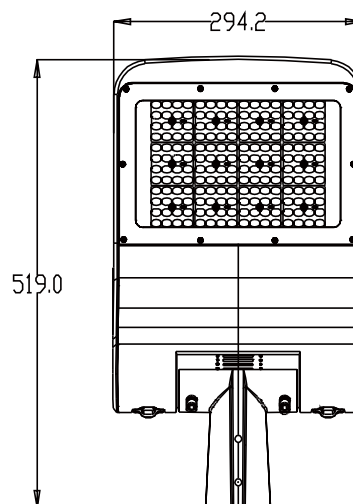
Power	80W/100W/120W
LED Chips	ORSAM
Luminous Efficacy	140~150lm/W
CCT	3000K-6500K
CRI (Ra)	70+/80+

Electrical Data

Driver	Meanwell / Sosen
Input Voltage	AC100-277V
Power Factor	>0.95
Output Voltage	DC36V
Total Harmonic Distortion	< 15%
Driver Efficiency	92%

Others

IP Rating	IP66
Lifespan	60,000Hours
Housing	Aluminum
Lens Material	PC+Glass
Fixture Size	519*297*111 mm
Carton Size	540*320*130 mm
Net Weight	4.0KG
Gross Weight	5.0KG



LEGEND II Street Light

ISL-LDB-150W/180W

Specifications

Optical Data

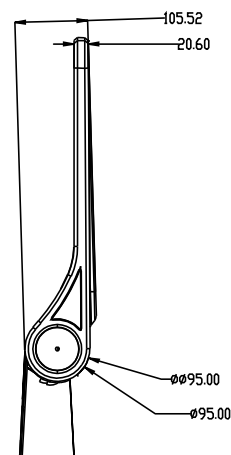
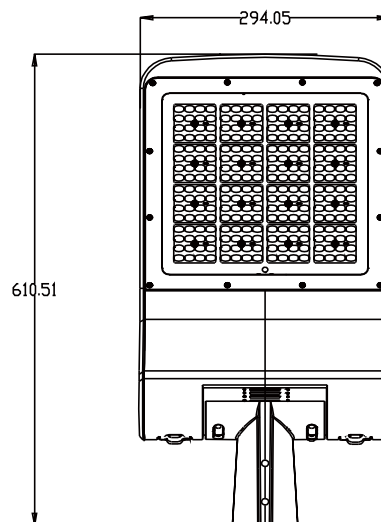
Power	150W/180W
LED Chips	ORSAM
Luminous Efficacy	140~150lm/W
CCT	3000K-6500K
CRI (Ra)	70+/80+

Electrical Data

Driver	Meanwell / Sosen
Input Voltage	AC100-277V
Power Factor	>0.95
Output Voltage	DC36V
Total Harmonic Distortion	< 15%
Driver Efficiency	92%

Others

IP Rating	IP66
Lifespan	60,000Hours
Housing	Aluminum
Lens Material	PC+Glass
Fixture Size	610*297*111 mm
Carton Size	640*320*130 mm
Net Weight	5.5KG
Gross Weight	6.5KG



LEGEND II Street Light

ISL-LDB-200W/240W

Specifications

Optical Data

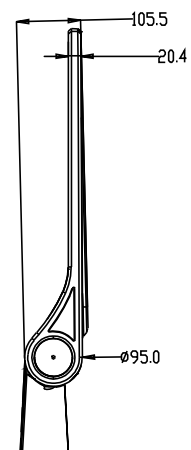
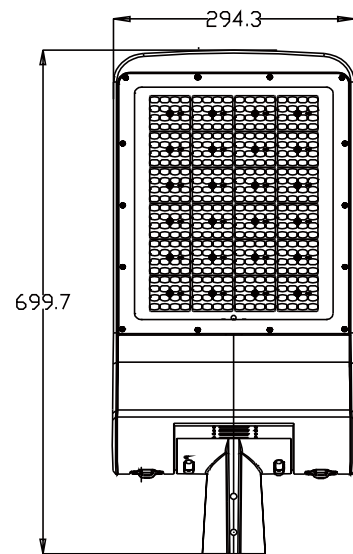
Power	200W/240W
LED Chips	ORSAM
Luminous Efficacy	140~150lm/W
CCT	3000K-6500K
CRI (Ra)	70+/80+

Electrical Data

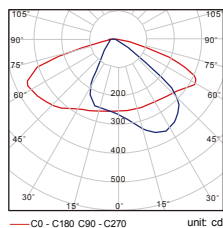
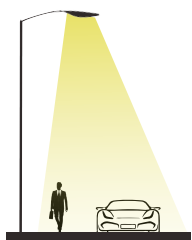
Driver	Meanwell / Sosen
Input Voltage	AC100-277V
Power Factor	>0.95
Output Voltage	DC36V
Total Harmonic Distortion	< 15%
Driver Efficiency	92%

Others

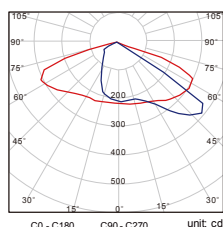
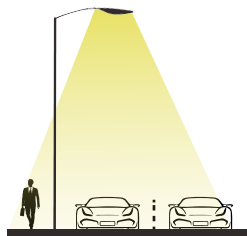
IP Rating	IP66
Lifespan	60,000Hours
Housing	Aluminum
Lens Material	PC+Glass
Fixture Size	700*297*111 mm
Carton Size	720*320*130 mm
Net Weight	6.5KG
Gross Weight	7.5KG



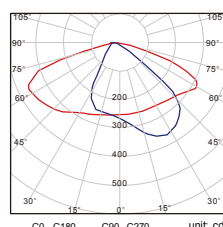
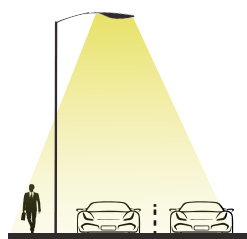
Multiple Light Distribution



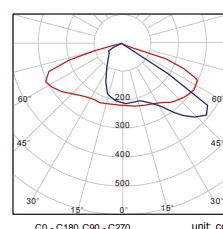
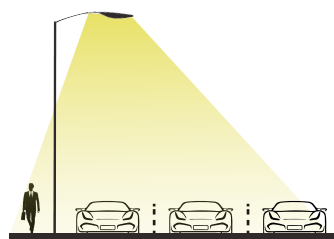
These parameters [Lav, U0, UI, TI, SR] can meet the requirements. In accordance with CIE140 / EN13201 (ME3 ~ ME5) requirements, through simulation, this narrow light distribution is ideal for illuminating sidewalks, trails and sidewalks.



Narrow light distribution can also be used for dual lanes. You can use this type of light distribution on wide sidewalks, side roads and auxiliary roads. According to the requirements of CIE140 / EN13201 (ME3 ~ ME5), by simulation, these parameters [Lav, U0, UI, TI, SR] can meet the requirements.

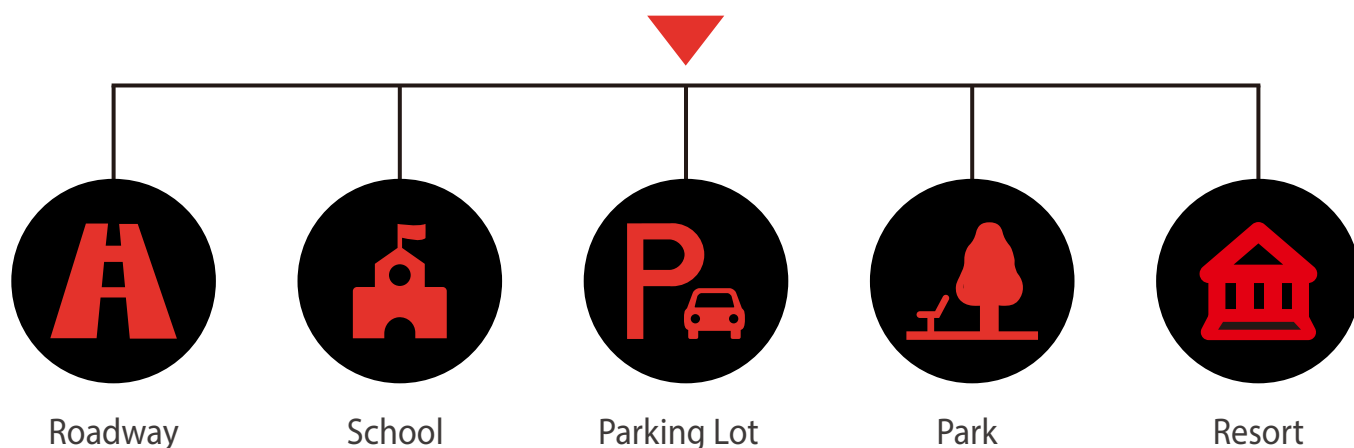


The wide light distribution is ideal for freeways, expressways and urban arteries. The step height ratio of the point can reach 3.5. According to the requirements of CIE140 / EN13201 (ME1 ~ ME2), through simulation, these parameters [Lav, U0, UI, TI, SR] can meet the requirements.



The wide light distribution is also ideal for multi-lane roads. You can use wide light distribution for multi-lane arteries, downtown roads, etc. The pitch height ratio of the point can reach 3.5. (ME1~ ME2) , through simulation, these parameters [Lav, U0, UI, TI, SR] can meet the requirements.

Application



ISHINELUX

Contact Us

Tel: + 86-769-87770656

Email: info@ishinelux.com



Shenzhen Ishinelux Technology Co.,Ltd

©Copyright Ishinelux 2015

www.ishinelux.com